


PRODUCT SHEET

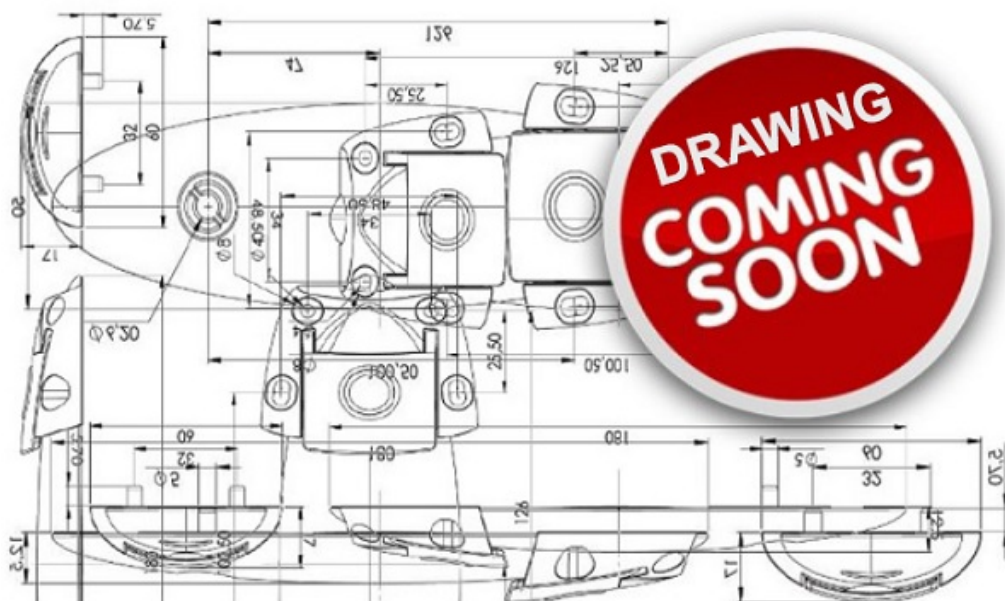
Description:

Chair Back Recliner 382 /92 5-Step Ratchet, BZP, Steel In Pairs of 2 Pcs Ratchet & 2 Pcs Pawl.
Complete For one, Armchair

Item number:

04.05.060-0

Units	Box	Carton	HS Code	Barcode
Pair		2	8302420090	 5704866002998



SISO A/S

Mileparken 11
DK-2740 Skovlunde
Denmark
VAT: DK 24786013

Phone +45 45 830 900

www.siso.dk
siso@siso.dk

Danske Bank
Nytorv Branch
Copenhagen
SWIFT: DABADKKK

Account no.
4180 3112 112936
IBAN Account
DK7230003112112936